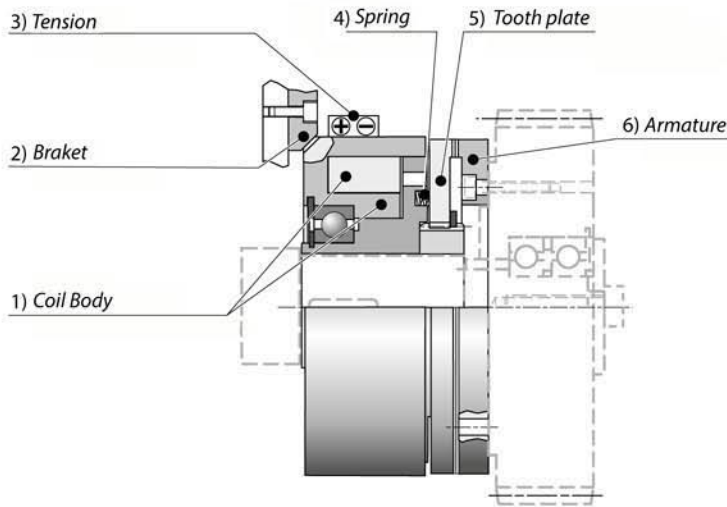


Example of application



Tooth profiles

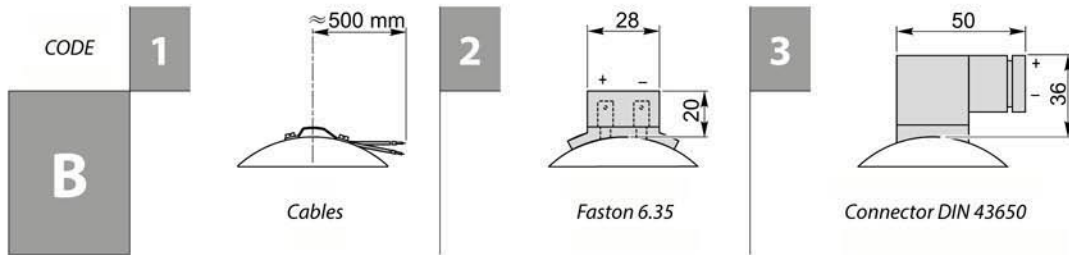
Only





Triangular form

On request, tooth profiles for fixed point engagement 360°

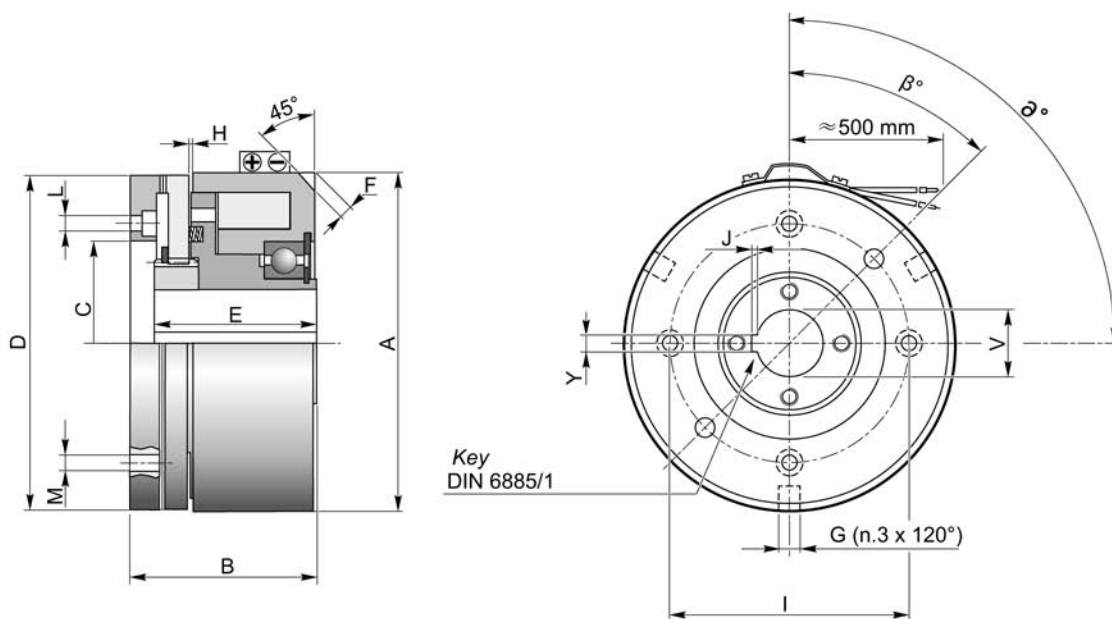
Characteristics



Characteristics

SIZE	Nom. Static Torque CU 1) Nm	Nominal Voltage V (C.C - D.C)	Input Power W	nmax		Z 	 Kg
				dry rpm	oil rpm		
				GDFN70	10	24	
GDFN95	50	24	53	2000	3000	205	1.6
GDFN114	100	24	53	2000	3000	333	3
GDFN126	200	24	84	2000	3000	333	3
GDFN155	300	24	129	2000	3000	360	4.5

Dimension



Key
DIN 6885/1

G (n.3 x 120°)

Shaft

		GDFN														
C	SIZE	70			95			114			126			155		
	CODE	1	2	3	1	2	3	1	2	3	1	2	3	1	2	3
	øV H7	10	12	15	15	20	25	20	25	30	25	30	35	25	30	40
	Y P9	3	4	5	5	6	8	6	8	8	8	8	10	8	8	10
	J	1.4	1.8	2.3	2.3	2.8	3.3	2.8	3.3	3.3	3.3	3.3	3.3	3.3	3.3	3.3
	n° Key /	1	1	1	1	1	1	1	1	1	1	1	1	1	1	1

Dimensions

SIZE	A	B	C (H7)	D	E	F	G	H	I	L	M	θ°	β°
GDNF70	70	40	40	70	36	3	5	0.8	50	4 x 4.5	-	90	-
GDNF95	95	60	52	92	52	5	8	1.1	64	4 x 5.5	2 x 4.5	90	45
GDN114	118	65	75	114	57	5	8	1.1	90	4 x 6.5	2 x 5.5	90	45
GDN126	134	78	75	126	65	5	8	1.5	90	4 x 6.5	2 x 5.5	90	45
GDN155	155	77.5	85	140	68.5	5	10	1.3	100	4 x 6.5	2 x 7.5	90	45

Order code

SIZE	CONNECTION	Ø SHAFT
	B	C
GDFN114	.2	.2
GDFN95	1	1
...	2	2
GDFN155	3	3